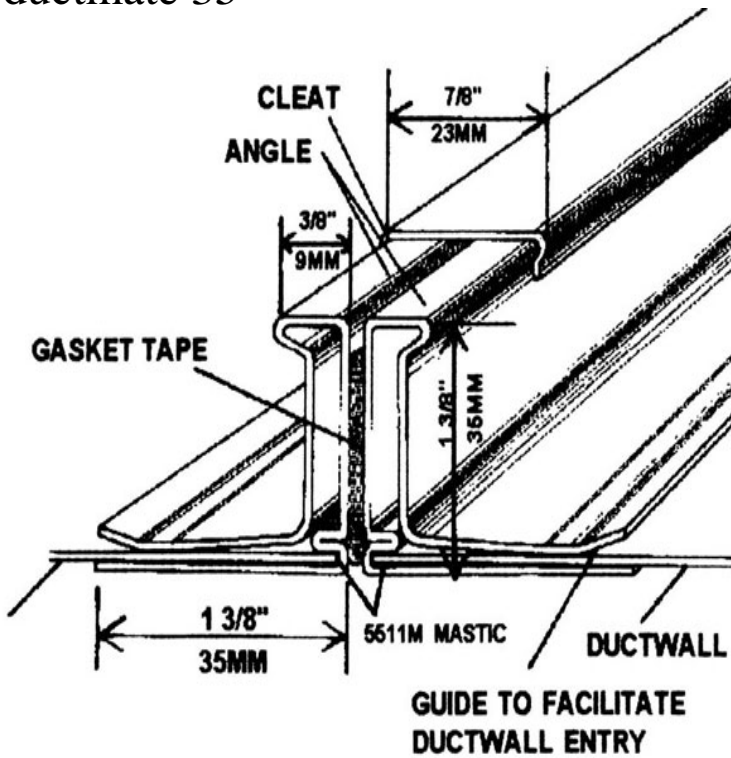


ductmate 35



Ductmate 25/35/45 connection systems consist of roll-formed flanges, corner pieces, gasket and cleat. The flanges attach to the duct wall and have an integral.22 Jul - 13 min - Uploaded by Ductmate Industries Ductmate 25/35/45 connection systems are used to connect rectangular ducts when a rigid.13 Jun - 11 min - Uploaded by Ductmate Industries Learn the ins and outs of the Ductmate 25 / 35 / 45 Flange Systems. A comprehensive guide.Ductmate 35 in galvanized, in 20' lengths, is a roll-formed flange used in conjunction with DM corner pieces, cleat, and gasket to connect ductwork together.DUCTMATE PRODUCTS . NOTE: System 35 is also available in other material. pcs. Cleater I and II. Corner Alignment. Tool. Metal Cleat. DC Ductmate - DM 35" is a galvanized, roll-formed flange used in conjunction with DM corner pieces, cleat and gasket to connect ductwork together. ' bundle in .Model, Description, List Price, SKU. DUCTMATE AG, Ductmate Corner Alignment Tool, \$, DUCTMATE CBGA, Ductmate Carriage Bolt & Nut.DM 35 corner piece in aluminum used with DM35 aluminum flange.Products 1 - 12 of 18 Dga Ductmate 35 CATD,DGA,DGA,, DUCDGA Dc35ga Ga Box Dc35 Corners CATD,DC35GA.Ductmate ? Ductmate ? Spiralmate. Access Doors. ? Sandwich Doors - rectangular ducting. ? Curved Doors - circular ducting. ? Insulated Sandwich.Find your DUCTMATE DUCTMATE 35 20FT GALV FT/BDL at Acklands- Grainger. We have been Canada's premiere industrial supplier for over years.ductmate 35 tdc. Ductmate 35 or TDC (E), Companion Angles (F), reinforcing between joints. Reinforcing Between Joints. Gauge. Steel, Aluminum. Thru nescopressurecooker.com REV. W-4a. DUCTMATE PRODUCTS . DUCTMATE RECTANGULAR DUCT CONNECTOR SYSTEMS. . to attach cleat to Ductmate 25/35 in.22 Jul - 13 min Ductmate 25/35/45 connection systems are used to connect rectangular ducts when a rigid.DUCTMATE `35'@10'GALV. Manufacturer: Ductmate. Product #: Box : Availability: In stock (Only left). *Price: \$/box of Hole for 3/8" carriage bolt. 12 Ga. Galvanized steel. Dutmate 35 is used to connect rectangular ducts when a rigid, leak-free connection is required.Quick and Simple to Install; Exclusive No-Bolt and Down Set Corner Systems on 25 and 35 Systems; Bull Nosing Kits; Engineering and Technical Support;.Items 1 - 51 of 51 Ductmate supplies the HVAC industry with engineered solutions to reduce Air Duct Flange DUCTMATE 35 FLANGE DGA 1M'/BNDL.products Searching for DUCTMATE HVAC and Refrigeration products? Grainger's got your back. Easy ordering & convenient delivery. Log-in or register for.Compatible with Dyn-O-Mate J, Ductmate 35, CL Ward J, Ward Industries J, and Hardcast flanges. Quad corners are manufactured from gauge.

[\[PDF\] ryobi rap200 manual](#)

[\[PDF\] brewstation parts](#)

[\[PDF\] minecraft skins 1.8.1](#)

[\[PDF\] sharp xe-a20s drawer](#)

[\[PDF\] asus transformer tf300 tablet user manual](#)

[\[PDF\] msi 790fx-gd70 motherboard](#)

[\[PDF\] remedial reading instruction](#)